

6 & 8 VERSIONS

8 VERSION SHOWN

NOTES :

- 1- MATERIAL:
 -HOUSING: LCP GLASS FILLED UL 94V-0, COLOUR BLACK.
 -TERMINAL: PHOSPHOR BRONZE .
 PLATING 2:
 POST PLATE (0.00127)/.000050 MIN GOLD IN CONTACT AREA
 (0.00190)/.000075 MIN PURE TIN IN TAIL AREA
 BOTH OVER (0.00127)/.000050 MIN NICKEL OVERALL.
 2- JACK FOR MATING WITH F.C.C. 68 PLUGS 90075 MOLEX SERIES.
 3- PRODUCT SPECIFICATION PS-9550I.
 4- PACKAGING SPECIFICATION PK-9500I: STANDARD PACKAGING SHEET 1.
 SPECIAL PACKAGING SHEET 2. TUBE PACKAGING SHEET 3.
 5- MANUFACTURING I.D. CAN BE EITHER MXF, MG OR MXI.
 6- RECOMMENDED PCB THICKNESS: 1.6mm

TYPE	POS. 4		POS. 6		POS. 8
	4 CKTS.	4 CKTS.	6 CKTS.	8 CKTS.	8 CKTS.
DIM. A	(11.18) / .440	(13.21) / .520	(13.21) / .520	(15.24) / .600	
C	(7.62) / .300	(10.16) / .400	(10.16) / .400	(11.43) / .450	
B	(3.81) / .150	(3.81) / .150	(6.35) / .250	(8.89) / .350	

MODIFIED NOTES.
 EC NO: E2008-076
 2007/10/05
 DRWN:DBYRNES
 2007/10/05
 CHKD:
 2007/10/05
 APPR:EOMAHONY
 2007/10/05

QUALITY SYMBOLS
 ▽=0
 ▽=0

GENERAL TOLERANCES (UNLESS SPECIFIED)

	mm	INCH
4 PLACES	± ---	± ---
3 PLACES	± ---	± .006
2 PLACES	± 0.15	± .010
1 PLACE	± 0.25	± ---
ANGULAR ± ---°		

DRAFT WHERE APPLICABLE MUST REMAIN WITHIN DIMENSIONS

DIMENSION STYLE MM/IN

DRAWN BY	DATE
DBYRNES	2006/08/02
CHECKED BY	DATE
EOMAHONY	2006/08/12
APPROVED BY	DATE
EOMAHONY	2006/08/12

MATERIAL NO. SEE CHART SHEETS 4.56&8

SCALE 4:1

DESIGN UNITS METRIC

THIRD ANGLE PROJECTION

TITLE

R/A LOW PROFILE
 PC JACK 4,6,8 CKTS SIZE
 THROUGH HOLE VERSION

MOLEX INCORPORATED

DOCUMENT NO. SD-95501-001

SHEET NO. 1 OF 5

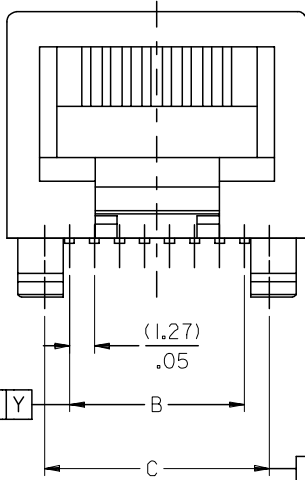
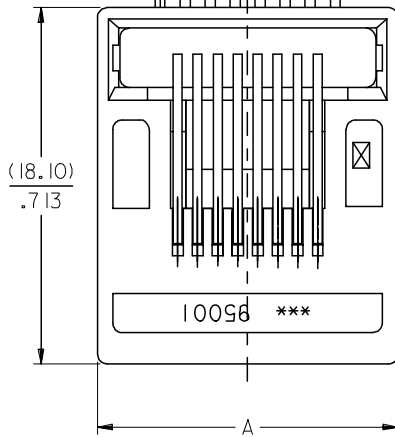
THIS DRAWING CONTAINS INFORMATION THAT IS PROPRIETARY TO MOLEX INCORPORATED AND SHOULD NOT BE USED WITHOUT WRITTEN PERMISSION

6 & 8 VERSIONS

8 VERSION SHOWN

CIRCUIT I
(8 CKTS VERSION)

CIRCUIT I
(6 CKTS VERSION)

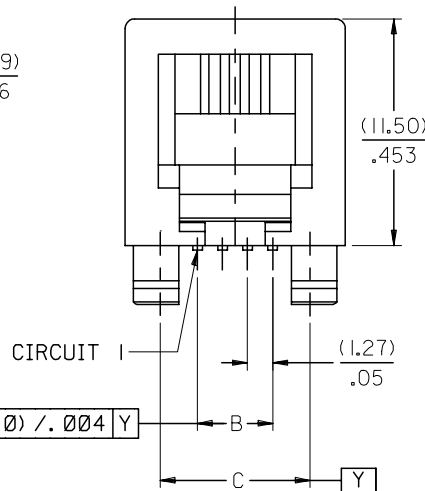
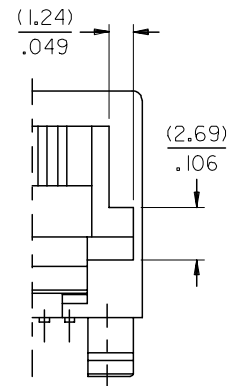


TYPE	POS. 4	POS. 6		POS. 8
	4 CKTS.	4 CKTS.	6 CKTS.	8 CKTS.
A	(11.18) / .440	(13.21) / .520	(13.21) / .520	(15.24) / .600
C	(7.62) / .300	(10.16) / .400	(10.16) / .400	(11.43) / .450
B	(3.81) / .150	(3.81) / .150	(6.35) / .250	(8.89) / .350

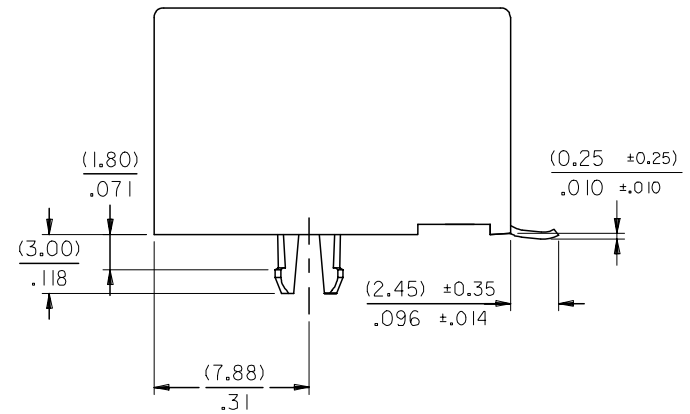
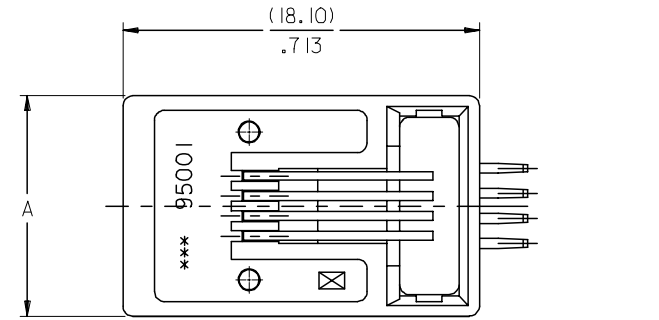
NOTES :

- 1- MATERIAL:
-HOUSING: LCP GLASS FILLED UL 94V-0,
COLOUR BLACK.
- 2- SEE OTHER NOTES SHEET 1

OPTIONAL KEYING



4 VERSION ONLY



ADDED DIM TABLE	QUALITY SYMBOLS
EC NO: E2008-0176 2007/10/05	▽=0
DRWN:DBYRNES 2007/10/05	∇=0
CHKD: 2007/10/05	
APPR:EOMAHONY 2007/10/05	
REV	DESCRIPTION

GENERAL TOLERANCES (UNLESS SPECIFIED)	
mm	INCH
4 PLACES ±---	±---
3 PLACES ±---	±.006
2 PLACES ±0.15	±.010
1 PLACE ±0.25	±---
ANGULAR ±---°	

DRAFT WHERE APPLICABLE
MUST REMAIN
WITHIN DIMENSIONS

DIMENSION STYLE	
MM/IN	SCALE
DRAWN BY DBYRNES	DATE 2006/08/02
CHECKED BY EOMAHONY	DATE 2006/08/12
APPROVED BY EOMAHONY	DATE 2006/08/12
MATERIAL NO.	DOCUMENT NO.
SEE CHART SHEETS 4,5&6	SD-95501-001

SCALE	DESIGN UNITS	THIRD ANGLE PROJECTION
4:1	METRIC	☉ □
TITLE		
R/A LOW PROFILE PC JACK 4,6,8 CKTS SIZE SMT VERSION		
MOLEX INCORPORATED		
SHEET NO.		2 OF 5

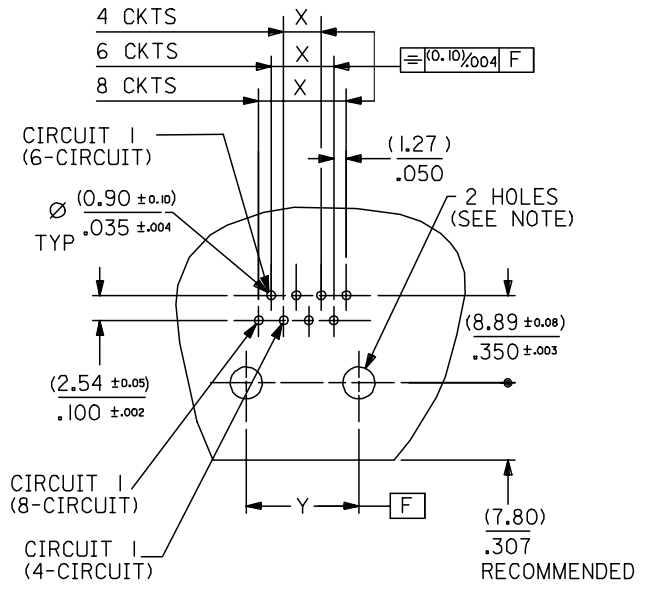
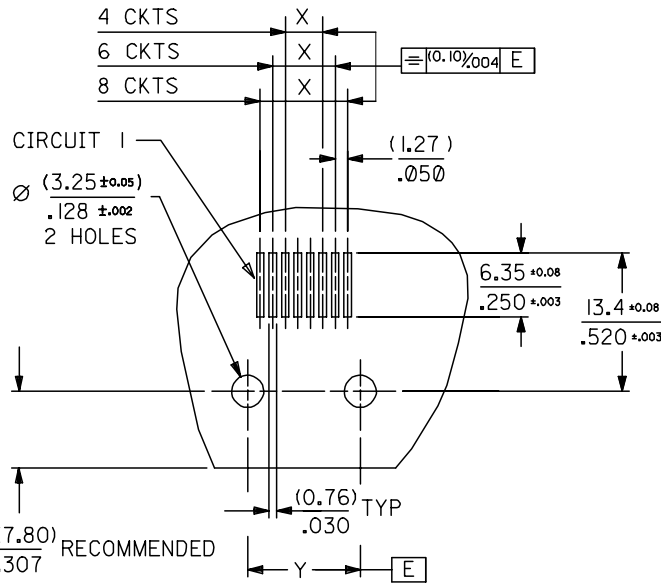
THIS DRAWING CONTAINS INFORMATION THAT IS PROPRIETARY TO MOLEX INCORPORATED AND SHOULD NOT BE USED WITHOUT WRITTEN PERMISSION

TYPE \ DIM.	POS. 4	POS. 6		POS. 8
	4 CKTS.	4 CKTS.	6 CKTS.	8 CKTS.
Y $\pm 0.05 / \pm 0.02$	(7.62) / .300	(10.16) / .400	(10.16) / .400	(11.43) / .450
X $\pm 0.05 / +0.02$	(3.81) / .150	(3.81) / .150	(6.35) / .250	(8.89) / .350

P.C.B. MOUNTING PATTERNS - SEE FROM COMPONENT SIDE

FOR SMT JACK TYPE (SURFACE MOUNT)

FOR STANDARD JACK TYPE (THROUGH HOLE)



FOR ALL VERSIONS, CIRCUIT 1 ALWAYS ON THE LEFT SIDE

NOTE:
 FOR CONVECTION SOLDERING: DIA 3.25±0.05 / .128±.002
 FOR WAVE SOLDERING: DIA 3.20±0.10 / .126±.004

REV	DESCRIPTION
B	MODIFIED TABLE
	EC NO: E2008-0176
	DRWN:DBYRNES 2007/10/05
	CHKD: 2007/10/05
	APPR:EOMAHONY 2007/10/05

QUALITY SYMBOLS
▽=0
∇=0

GENERAL TOLERANCES (UNLESS SPECIFIED)	
mm	INCH
4 PLACES ±---	±---
3 PLACES ±---	±.006
2 PLACES ±0.15	±.010
1 PLACE ±0.25	±---
ANGULAR ±---°	
DRAFT WHERE APPLICABLE MUST REMAIN WITHIN DIMENSIONS	

DIMENSION STYLE	
MM/IN	
DRAWN BY	DATE
DBYRNES	2006/08/02
CHECKED BY	DATE
EOMAHONY	2006/08/12
APPROVED BY	DATE
EOMAHONY	2006/08/12
MATERIAL NO.	
SEE CHART SHEETS 4,5&6	

SCALE	DESIGN UNITS	THIRD ANGLE PROJECTION	
2:1	METRIC		
TITLE			
R/A LOW PROFILE JACK			
PC JACK 4,6,8 CKT SIZE			
SMT AND STANDARD VERSION			
MOLEX INCORPORATED			
DOCUMENT NO.		SHEET NO.	
SD-95501-001		3 OF 5	
THIS DRAWING CONTAINS INFORMATION THAT IS PROPRIETARY TO MOLEX INCORPORATED AND SHOULD NOT BE USED WITHOUT WRITTEN PERMISSION			

SPECIAL PACKAGING TUBE, SEE PACKAGING SPEC PK95001 SHEET 3

PART NO FOR JACK ASSEMBLY
THROUGH HOLE VERSION

PART NO FOR JACK ASSEMBLY
SMT VERSION

HOUSING SIZE	LOADED CONTACTS	PLATING	LCP GLASS FILED 94V0, COLOR BLACK.							
			NO KEY	TOOLED	KEY	TOOLED	TOOLED	TOOLED		
			NOT RIBBED		NOT RIBBED					
4	4	2	95501-2401	X						
6	4	2	95501-2601	X						
6	6	2	95501-2611	X						
8	8	2	95501-2821	X						

PLATING	LCP GLASS FILLED 94V0 COLOUR BLACK					
	NO KEY	TOOLED	KEY	TOOLED	NO KEY	TOOLED
	NOT RIBBED		NOT RIBBED		NOT RIBBED	
2	95501-6449	X				
2	95501-6649	X				
2	95501-6669	X				
2	95501-6889	X	95501-6890	X		

REMOVED GREY OPTIONS EC NO: E2007-0513 DRWN: DBYRNES 2007/01/08 CHKD: 2007/01/08 APPR: EOMAHONY 2007/01/09	QUALITY SYMBOLS ▽=0 ◻=0	GENERAL TOLERANCES (UNLESS SPECIFIED)		DIMENSION STYLE MM ONLY	SCALE ---	DESIGN UNITS METRIC	THIRD ANGLE PROJECTION	
		4 PLACES	± ---	± ---	DRAWN BY DBYRNES	DATE 2006/08/02	TITLE LOW PROFILE R/A JACK STANDARD AND SMT VERSION TUBE PACKAGING MOLEX INCORPORATED	
		3 PLACES	± ---	± ---	CHECKED BY EOMAHONY	DATE 2006/08/12		
		2 PLACES	± ---	± ---	APPROVED BY EOMAHONY	DATE 2006/08/12		
1 PLACE	± ---	± ---	MATERIAL NO.					
ANGULAR ± ---°			DRAFT WHERE APPLICABLE MUST REMAIN WITHIN DIMENSIONS		SEE CHART	DOCUMENT NO. SD-95501-001	SHEET NO. 5 OF 5	